



KX71-3S



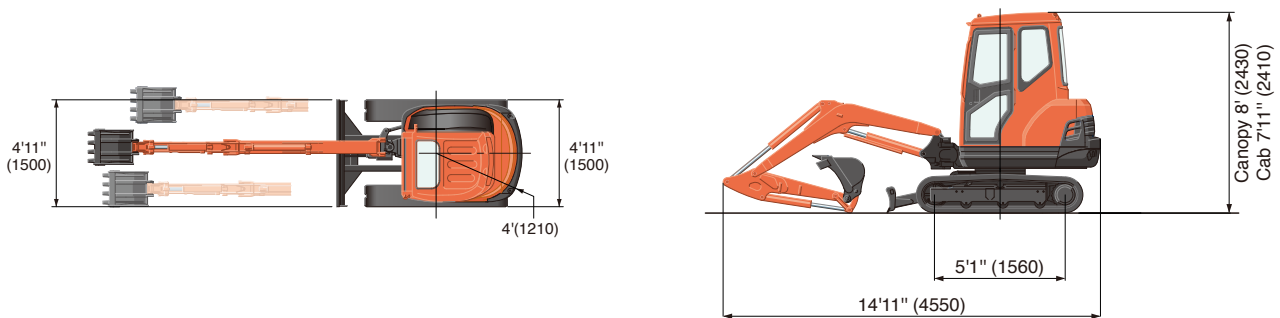
SPECIFICATIONS

Specifications

Model		KX71-3S		
Type of ROPS / OPG (Top Guard Level I)*		Canopy / Cab		
Type of tracks		Rubber		
Engine	Model		V1505-BH	
	Output (SAE J1995 gross)	HP (kW)/rpm	24.4 (18.2) / 2250	
	Output (SAE J1349 net)	HP (kW)/rpm	23.1 (17.2) / 2250	
	Displacement	cu.in. (cc)	91.4 (1498)	
Dimensions	Overall length		ft.in. (mm)	14'11" (4550)
	Overall height	Canopy / Cab	ft.in. (mm)	8' (2430) / 7'11" (2410)
	Overall width		ft.in. (mm)	4'11" (1500)
	Min. ground clearance		ft.in. (mm)	11" (285)
Hydraulic system	Pump capacity		gpm. (ℓ /min)	8.32 (31.5) Piston x 2 / 4.76 (18.0) Gear x 1
	Auxiliary hydraulic flow		gpm. (ℓ /min)	13.1 (49.5)
	Max. breakout force	Bucket / Arm	lbs. (kgf)	6350 (2880) / 3285 (1490)
Drive system	Travel speed	Low / High	mph (km/h)	1.8 (2.8) / 2.9 (4.6)
	Max. traction force	Low speed	lbs. (kgf)	7081 (3212)
	Tumbler distance		ft.in. (mm)	5'1" (1560)
	Crawler length		ft.in. (mm)	6'6" (1990)
	Shoe width		ft.in. (mm)	12" (300)
	Ground contact pressure		psi (kgf/cm ²)	3.9 (0.28) / 4.1 (0.29)
Swing system	Unit swing speed		rpm	9.4
	Boom swing angle	Left / Right	degree	80 / 60
Blade	Dimensions	Width / Height	ft. in. (mm)	4'11" (1500) / 12" (300)
	Max. lift above ground		ft. in. (mm)	1'1" (340)
	Max. drop below ground		ft. in. (mm)	12" (310)
Hydraulic oil (reservoir/system)		gal (ℓ)	9.0 (34) / 13.2 (50)	
Fuel reservoir		gal (ℓ)	11.9 (45)	
Operating weight Including operator's weight 175 lbs.		lbs.(kgf)	6305 / 6550 (2860 / 2970)	

* OPG (Top Guard Level I) in accordance with ISO10262 is equivalent in definition to FOPS (Falling Object Protective Structure). The company reserves the right to change the above specifications without notice. This brochure is for descriptive purposes only. Please contact your local Kubota dealer for warranty information. For your safety, Kubota strongly recommends the use of a Rollover Protective Structure (ROPS) and seat belt for almost all applications.

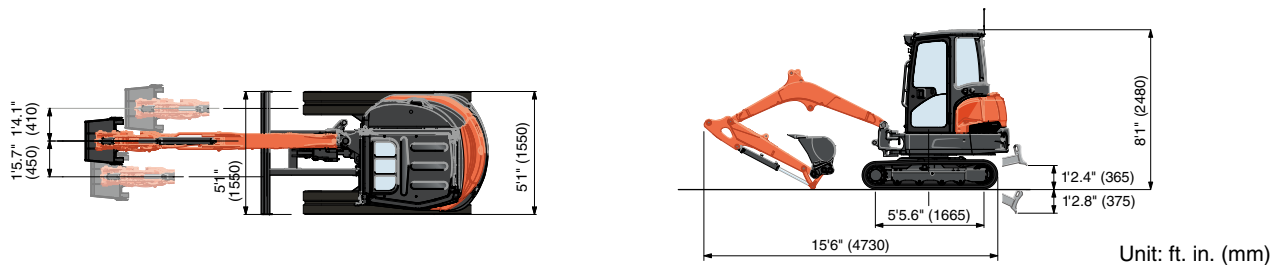
DIMENSIONS



SPECIFICATIONS

Model		KX033-4		KX033-4 Angle Blade	
Type of ROPS / OPG (TOP Guard, Level I)		Canopy / Cab			
Type of tracks		Rubber / Steel			
Engine	Model	Kubota D1703M-DI-E4			
	Output (SAE J1995 gross)	HP (kW) / rpm	24.8 (18.5) / 2200		
	Output (SAE J1349 net)	HP (kW) / rpm	23.2 (17.3) / 2200		
	Displacement	cu. in. (cc)	100.5 (1647)		
Dimensions	Overall length	ft. in. (mm)	15'6" (4730)		
	Overall height	ft. in. (mm)	8'1" (2480) / 8'1" (2470)		
	Overall width	ft. in. (mm)	5'1" (1550)		
	Min. ground clearance	in. (mm)	11.4 (290)		
	Boom offset	Right / Left	ft. in. (mm)	1'4.1" (410) / 1'5.7" (450)	
	Blade lift	Upper / Low	ft. in. (mm)	1'2.4" (365) / 1'2.8" (375)	
Hydraulic system	Pump capacity	GPM (ℓ/min)	10.5 (39.6) x 2 / 5.5 (20.9) x 1		
	Auxiliary hydraulic flow	GPM (ℓ/min)	15.8 (60)		
	Max. breakout force	Bucket / Arm	lbs. (kgf)	8138 (3694) / 3867 (1756)	
Drive system	Travel speed	Low / High	mph (km/h)	1.9 (3.0) / 2.9 (4.6)	
	Max. traction force	Low speed	lbs. (kgf)	6091 (2763)	
	Tumbler distance		ft. in. (mm)	5'5.6" (1665)	
	Crawler length		ft. in. (mm)	6'10.6" (2100)	
	Shoe width	Rubber / Steel	in. (mm)	11.8 (300)	
	Ground contact pressure	Canopy Rubber / Steel	psi (kgf/cm ²)	4.365 (0.307) / 4.482 (0.315)	4.583 (0.322) / 4.700 (0.331)
	Cab Rubber / Steel	psi (kgf/cm ²)	4.559 (0.321) / 4.676 (0.329)	4.776 (0.336) / 4.894 (0.344)	
Swing system	Unit swing speed		rpm	8.9	
	Boom swing angle	Left / Right	degree	70 / 48	
Blade	Dimensions	Width	ft. in. (mm)	5'1" (1550)	
		Height	ft. in. (mm)	1'1.5" (345)	1'3.2" (385)
	Max. lift above ground		in. (mm)	14.4 (365)	
	Max. drop below ground		in. (mm)	14.8 (375)	
	Angle	Left / Right	degree	-	25 / 25
Hydraulic oil (Reservoir / System)			gal (ℓ)	11.8 (44.6) / 16.1 (61)	
Fuel reservoir			gal (ℓ)	12.4 (46.9)	
Operating weight (Including operator's weight @ 175 lbs.)	Canopy Rubber / Steel	lbs. (kgf)	7420 (3365) / 7616 (3454)	7781 (3529) / 7978 (3618)	
	Cab Rubber / Steel	lbs. (kgf)	7742 (3511) / 7938 (3600)	8104 (3675) / 8300 (3764)	

DIMENSIONS



Kubota Tractor Corporation reserves the right to change the stated specifications without notice. This brochure is for descriptive purposes only and reasonable efforts were used to set forth the contained information; some items shown may be optional and some products shown may not be available at all dealerships. Kubota disclaims all representations and warranties, express or implied, or any liability from the use of this brochure. For complete warranty, safety and product information, consult your local Kubota dealer and the operator's manual. Power (HP/KW) and other specifications are based on various standards or recommended practices. For your safety, Kubota strongly recommends the use of a Rollover Protective Structure (ROPS) and seat belt in almost all applications. This brochure is intended for the United States and US territories only. For information regarding Kubota products or services outside these areas, see Kubota Corporation's global web site. Kubota does not provide parts, warranty or service for any Product which is re-sold or retailed in any country other than the country for which the Product(s) were designed or manufactured.

©2016 Kubota Corporation



KUBOTA TRACTOR CORPORATION

Kubota Tractor Corporation, 3401 Del Amo Boulevard, Torrance CA 90503
 Western Division: 1175 S. Guild Ave., Lodi, CA 95240 Tel (209) 334-9910
 Central Division: 14855 FAA Boulevard, Fort Worth, TX 76155 Tel (817) 571-0900
 Northern Division: 6300 at One Kubota Way, Groveport, OH 43125 Tel (614) 835-1100
 Southeast Division: 1025 Northbrook Parkway, Suwanee, GA 30024 Tel (770) 995-8855

Visit our web site at: www.kubota.com

